

# HighPROTEC-2 | PROTECTION TECHNOLOGY MADE SIMPLE

## MRM4-2 | MOTOR PROTECTION DEVICE

**NEW  
FEATURES**

- DNP 3.0
- Multiple Communication with one device
- ANSI Menu structure
- Page Editor
- New front plate with USB
- IEC61850 with LC interface



### FUNCTIONS

The MRM4 is a protection relay which uses the latest Dual-Core-Processor Technology to provide precise and reliable protective functions and is very easy to operate.

The MRM4 provides all necessary functions to protect low and medium voltage motors at all power levels. The protection functions are based on current measurement. They supervise the motor start sequence (motor start), they detect a stall or locked rotor condition and they monitor the thermal condition of the motor. Overcurrent and earth overcurrent protection as well as unbalanced load protection is included in the protection package. The status and operation of the motor will also be monitored by means of the statistic and trend recorder. All important events and measuring values will be logged by means of the start, event, failure and disturbance recorder.

### APPLICABLE FOR:

- Low and high voltage asynchronous motors. Protection based on current measurement values

### MOTOR PROTECTION FUNCTIONS

- Thermal overload protection 49M
- Locked rotor Protection 51LRS
- JAM or Stall protection 51LR
- Underload protection 37
- Motor start 48
- Starts per Hour 66
- Negative phase sequence (current unbalance) 46
- Overcurrent/short circuit prot. 50P/51P
- Earth overcurrent- and short circuit protection 50N/51N
- Reclosing lockout 86
- RTD supervision via external temperature box (Type MRM4-B, on request)

### SYSTEM SUPERVISION FUNCTIONS

- CBF, circuit breaker failure 50BF
- TCS, trip circuit supervision via digital inputs 74TC
- CTS, current transformer supervision 60

### HISTORY COUNTER

- Motor starts values, Numbers of alarms and trips of all important protection functions like I, IG, Thermal supervision, JAM, undercurrent and Negative phase sequence

### TOTAL COUNTER

- Breaker wear values
- Motor run time
- Motor operation counter
- History

### MOTOR START RECORDER

- Max. RMS values of phase currents
- Negative phase sequence currents
- Start duration
- Used thermal capacity
- Successful starts
- Temperature profile (optional)

### STATISTIC RECORDER

- Number of successful starts
- Average I<sup>2</sup>T values
- Average max. start current

### ADDITIONAL RECORDERS

- Disturbance recorder: 120 s non volatile
- Fault recorder: 20 faults
- Event recorder: 300 events
- Trend recorder: 4000 non volatile entries

### COMMUNICATION OPTIONS

- IEC61850
- Profibus DP
- Modbus RTU or Modbus TCP
- IEC60870-5-103
- DNP 3.0 (RTU, TCP, UDP)

### PC TOOLS

- Setting and analyzing software Smart view for free
- Including page editor to design own pages

### COMMISSIONING SUPPORT

- USB connection
- Customizable Display (Single-Line, ...)
- Customizable Inserts
- Copy and compare parameter sets
- Configuration files are convertible
- Forcing and disarming of output relays
- Fault simulator: current and voltage
- Graphical display of tripping characteristics
- 7 languages selectable within the relay

### LOGIC

- Up to 80 logic equations for protection, control and monitoring

### TIME SYNCHRONISATION

- SNTP or IRIG-B00X

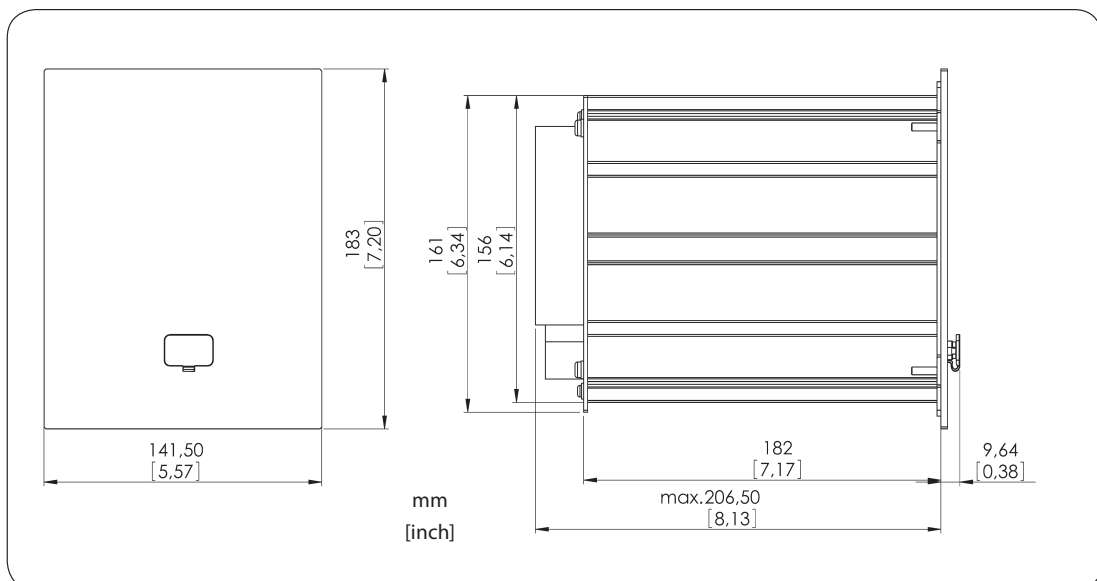
### ADDITIONAL HIGHLIGHTS

- 20 mA output (Type MRM4-B)
- Long starting time for reduced voltage starts
- Emergency Start
- Incomplete sequence
- Anti-backspin time delay
- Permitted number of cold starts
- Supervision of starts per hour
- Mechanical load shedding
- Zero speed detection (stall) via digital input
- Motor stop inputs
- External alarm and trip inputs
- Multiple setting groups

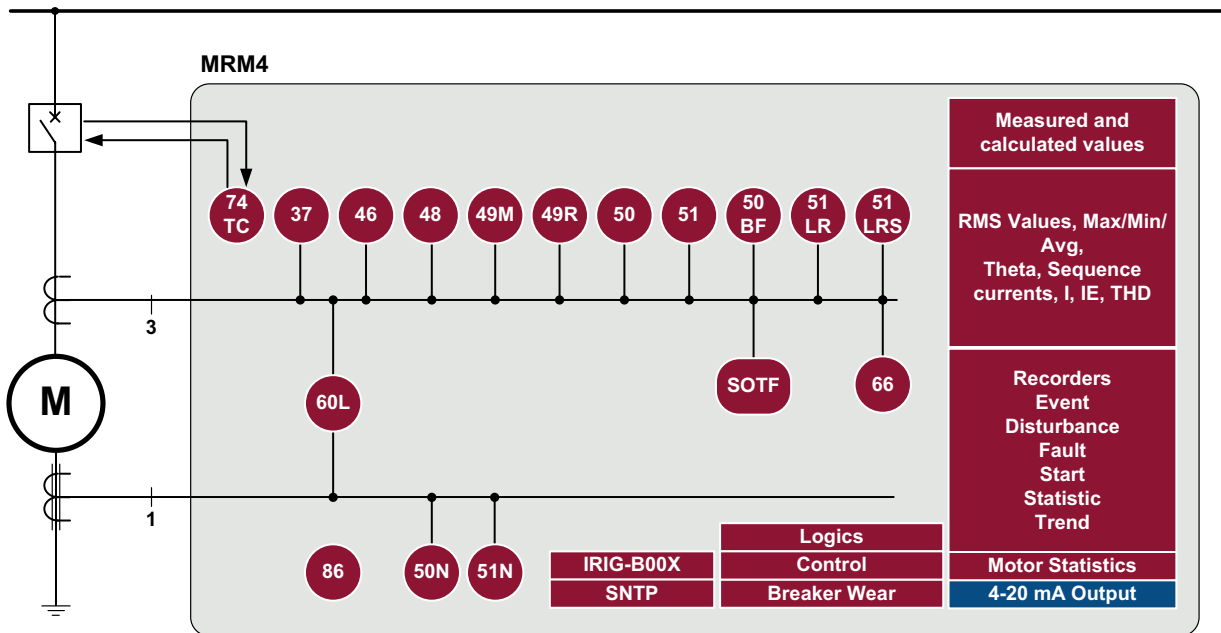
**FUNCTIONAL OVERVIEW**

	Elements	ANSI
<b>Protective Functions</b>		
IB, thermal overload protection		49M
I, time overcurrent and short circuit protection (non direction) (instantaneous, definite time, characteristics according to IEC60255, ANSI)	6	50P, 51P
I2, unbalanced load protection with evaluation of the negative phase sequence current	2	46
IG, earth time overcurrent and short circuit protection (non direction) (instantaneous, definite time, characteristics according to IEC60255, ANSI)	4	50N, 51N
I< underload protection	2	37
Reclosing lockout		49R
Incomplete sequence		
JAM protection		51LR
Locked rotor Protection		51LRS
Motor start		48
Starts per Hour		66
Start control input		
Reversing mode		
Emergency start		
<b>Control and Logic</b>		
Control: Position indication, supervision time management and interlockings for 1 breaker		
Logic: Up to 80 logic equations, each with 4 inputs, selectable logical gates, timers and memory function		
<b>Supervision Functions</b>		
CBF, circuit breaker failure	1	50BF/62BF
TCS, trip circuit supervision via digital inputs	1	74TC
CTS, current transformer supervision	1	60L
Demand management and peak value supervision (current)		
Breaker wear with programmable wear curves		
Recorders: Disturbance Recorder, Fault recorder, Event recorder, Trend recorder, Motor Start recorder, Statistic recorder		

**DIMENSIONS**



## FUNCTIONAL OVERVIEW IN ANSI FORM



## APPROVALS



certified regarding UL508  
(Industrial Controls)



certified regarding  
CSA-C22.2 No. 14  
(Industrial Controls)

Type tested according to  
IEC60255-1

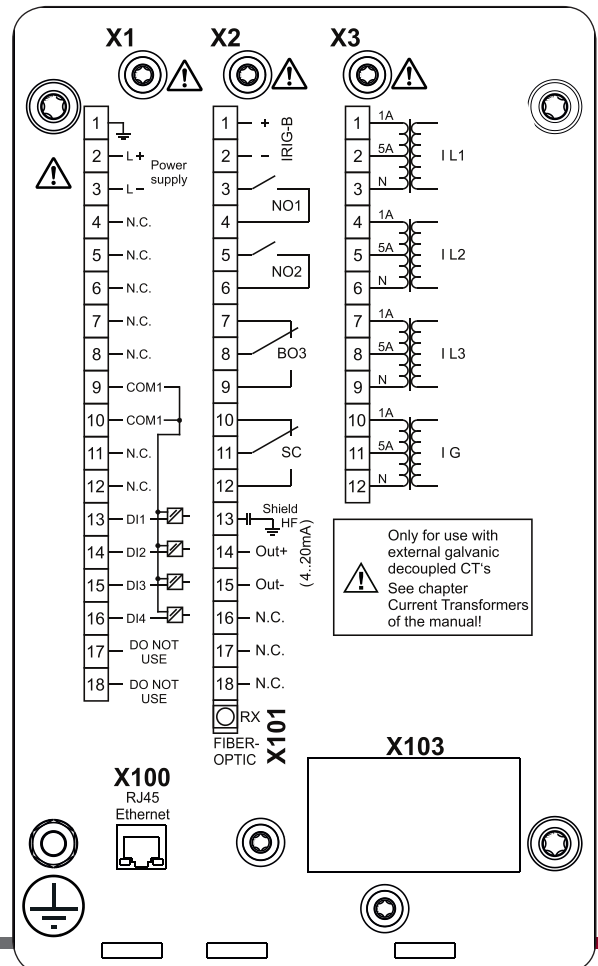


certified by EAC  
(Eurasian Conformity)

complies with IEEE 1547-2003  
amended by IEEE 1547a-2014

complies with ANSI C37.90-2005

## CONNECTIONS (EXAMPLE)



**ORDER FORM MRM4-2**

Motor Protection					MRM4	-2				
Version 2 with USB, enhanced communication and user options										
Digital Inputs	Binary output relays	Analog Inputs/Outputs	Housing	Large display						
8	6	0/0	B1	-					A	
4	4	0/1	B1	-					B	
<b>Hardware variant 2</b>										
Phase Current 5 A/1 A, Ground Current 5 A/1 A										0
Phase Current 5 A/1 A, Sensitive Ground Current 5 A/1 A										1
<b>Housing and mounting</b>										
Door mounting										A
Door mounting 19" (flush mounting)										B
<b>Communication protocol</b>										
Without protocol										A
Modbus RTU, IEC60870-5-103, DNP3.0 RTU   <i>RS485/terminals</i>										B*
Modbus TCP, DNP3.0 TCP/UDP   <i>Ethernet 100 MB/RJ45</i>										C*
Profibus-DP   <i>optic fiber/ST-connector</i>										D*
Profibus-DP   <i>RS485/D-SUB</i>										E*
Modbus RTU, IEC60870-5-103, DNP3.0 RTU   <i>optic fiber/ST-connector</i>										F*
Modbus RTU, IEC60870-5-103, DNP3.0 RTU   <i>RS485/D-SUB</i>										G*
IEC61850, Modbus TCP, DNP3.0 TCP/UDP   <i>Ethernet 100MB/RJ45</i>										H*
IEC60870-5-103, Modbus RTU, DNP3.0 RTU   <i>RS485/terminals</i>										I*
Modbus TCP, DNP3.0 TCP/UDP   <i>Ethernet 100 MB/RJ45</i>										J*
IEC61850, Modbus TCP, DNP3.0 TCP/UDP   <i>Optical Ethernet 100MB/LC duplex connector</i>										K*
Modbus TCP, DNP3.0 TCP/UDP   <i>Optical Ethernet 100MB/LC duplex connector</i>										L*
<b>Harsh Environment Option</b>										
None										A
Conformal Coating										B
<b>Available menu languages</b>										
Standard English/German/Spanish/Russian/Polish/Portuguese/French										

\* Within every communication option only one communication protocol is usable.  
Smart view can be used in parallel via the Ethernet interface (RJ45).

The parameterizing- and disturbance analyzing software Smart view is included in the delivery of HighPROTEC devices.

<b>Current inputs</b>	4 (1 A and 5 A) with automatic CT Disconnect
<b>Digital inputs</b>	Switching thresholds adjustable via software
<b>Power supply</b>	Wide range power supply 24 V <sub>DC</sub> - 270 V <sub>DC</sub> / 48 V <sub>AC</sub> - 230 V <sub>AC</sub> (-20/+10%)
<b>Terminals</b>	All terminals plug type
<b>Type of enclosure (Front)</b>	IP54
<b>Dimensions of housing (W x H x D)</b>	19" flush mounting: 141.5 mm x 173 mm x 209 mm 5.571 in. x 6.811 in. x 8.228 in. Door mounting: 141.5 mm x 183 mm x 209 mm 5.571 in. x 7.205 in. x 8.228 in.
<b>Weight (max. components)</b>	approx. 2.9 kg / 6.393 lb

**CONTACT:**

**North & Central America**

Phone: +1 970 962 7331  
E-mail: SalesPGD\_NAandCA@woodward.com

**South America**

Phone: +55 193708 4800  
E-mail: SalesPGD\_SA@woodward.com

**Europe**

Phone: +49 2152 145 331  
E-mail: SalesPGD\_EUROPE@woodward.com

**Middle East & Africa**

Phone: +971 2 6275185  
E-mail: SalesPGD\_MEA@woodward.com

**Russia**

Phone: +7 812 319 3007  
E-mail: SalesPGD\_RUSSIA@woodward.com

**China**

Phone: +86 512 8818 5515  
E-mail: SalesPGD\_CHINA@woodward.com

**India**

Phone: +91 124 4399 500  
E-mail: SalesPGD\_INDIA@woodward.com

**ASEAN & Oceania**

Phone: +49 711 78954 510  
E-mail: SalesPGD\_ASEAN@woodward.com

For more information please contact: